

21128 and 42608 Velocity Transducer Housings

Datasheet

Bently Nevada Machinery Condition Monitoring

141628 Rev. H

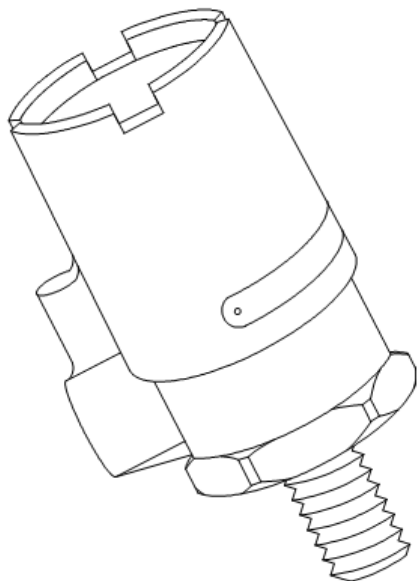
Description

Velocity Transducer Housings protect velocity sensors from damage caused by hose-directed water, corrosion, physical abuse, or other adverse environmental conditions.

Constructed of 303 stainless steel, these housings are designed to meet NEMA 4X and IP65 requirements when properly installed.

The 21128 housing is preferred for most non-hazardous environmental conditions. The CA21128 is the explosion-proof version that is CSA certified for use in Classes I, II, and III, Division 1, Groups B, C, D, E, F, and G. It must be ordered and shipped with a CSA approved velocity sensor installed in the assembly. The BA42608 housing is used for BASEEFA-approved installations where compliance with BS EN 60079 14 is necessary. It provides the environmental and physical protection needed to comply with the IP65 rating defined in IEC standard 144.

Each of these housings is now available with a tall cap. The tall cap option is required if the customer wants to install a Velomitor CT in a housing. The tall cap option is also required if installing either a 9200 or 74712 Seismoprobe with an isolated base into the 21128 housing.



Specifications

Physical

Outlet Port Size	1/2-in NPT
Internal Mounting Thread	
21128 and CA21128	1/2-in 20 UNF
BA42608	5/8-in 18 UNF-2B
Weight	1.6 kg (3.55 lb) without velocity sensor or fittings

Environmental

Temperature Rating	-29°C to +121°C (-20 °F to +250°F)
Moisture	Resistant to moisture and corrosion but is not submersible
O-ring Material	Neoprene

Compliance and Certifications

FCC

This device complies with part 15 of the FCC Rules. Operation is subject to the following two conditions:

- This device may not cause harmful interference.
- This device must accept any interference received, including interference that may cause undesired operation.

RoHS

RoHS Directive 2011/65/EU

Ordering Information



For the detailed listing of country and product specific approvals, refer to the *Approvals Quick Reference Guide* (108M1756) available from Bently.com.

Water and Corrosion-resistant Velocity Transducer Housing

21128 - AA-BB



Compatible with all Bently Nevada velocity sensors having 1/2-in 20 UNF mounting threads and a top mount connector. If planning to install the Velomitor CT or 9200/74712 sensors with an isolated base, you must order one of the 'tall cap' options.

A: Mounting Thread and Cap Option

01	Unthreaded base, 28.5 mm (1.125 in) diameter
02	3/4-in 14 NPT
03	1/2-in 14 NPT
04	1/2-in 14 BSP (G 1/2-in)
11	Unthreaded base, 28.5 mm (1.125 in) diameter with tall cap
12	3/4-in 14 NPT with tall cap
13	1/2-in 14 NPT with tall cap
14	1/2-in 14 BSP (G 1/2-in) with tall cap

B: Cable Exit Fitting Option

01	1/2-in NPT plug
02	1/2-in NPT, explosion-proof fitting
03	1/2-in NPT, explosion-proof and cable grip fittings

Explosion-proof Velocity Transducer Housing including Transducer

CA21128 - AA-BB-CC-DD



B00 Transducer Mounting Angle/Minimum Operating Frequency option is applicable to A00 and A01 Transducer Type Options. The others are applicable to the A04 Transducer Type Option.

A: Transducer Type Option

00	No Transducer
01	Includes 330500 Velomitor velocity sensor, datasheet 141632
04	Includes 9200 Seismoprobe velocity sensor, datasheet 141626
05	Includes 74712 Seismoprobe velocity sensor, datasheet 141626

B: Transducer Mounting Angle/Minimum Operating Frequency Option:

00	No option
31	0 ±2.5, 4.5 Hz (270 cpm)
32	45 ±2.5, 4.5 Hz (270 cpm)
33	90 ±2.5, 4.5 Hz (270 cpm)
36	0 ±100, 10 Hz (600 cpm)
39	0 ±180, 15 Hz (900 cpm)

C: Mounting Thread and Cap Option

01	Unthreaded base, 28.5 mm (1.125 in) diameter
02	3/4-in 14 NPT
03	1/2-in 14 NPT
04	1/2-in 14 BSP (G 1/2-in)
11	Unthreaded base, 28.5 mm (1.125 in) diameter with tall cap
12	3/4-in 14 NPT with tall cap
13	1/2-in 14 NPT with tall cap
14	1/2-in 14 BSP (G 1/2-in) with tall cap

D: Cable Exit Fitting Option

01	1/2-in NPT plug
02	1/2-in NPT, explosion-proof fitting
03	1/2-in NPT, explosion-proof and cable grip fittings

IP65 Water and Dust-resistant Velocity Transducer Housing

BA42608 - AA-BB



If this housing is used with 9200 or 74712 velocity sensors, the sensors must have ATEX or Multiple approvals and an isolator having 5/8-in 18 UNF-2B male threads and a top mount terminal strip.

A: Mounting Thread and Cap Option

01	Unthreaded base, 28.5 mm (1.125 in) diameter
02	3/4-in 14 NPT
03	1/2-in 14 NPT
04	1/2-in 14 BSP (G 1/2-in)
11	Unthreaded base, 28.5 mm (1.125 in) diameter with tall cap
12	3/4-in 14 NPT with tall cap
13	1/2-in 14 NPT with tall cap
14	1/2-in 14 BSP (G 1/2-in) with tall cap

B: Cable Exit Fitting Option

01	1/2-in NPT plug
02	1/2-in NPT, explosion-proof fitting
03	1/2-in NPT, explosion-proof and cable grip fittings

Graphs and Figures

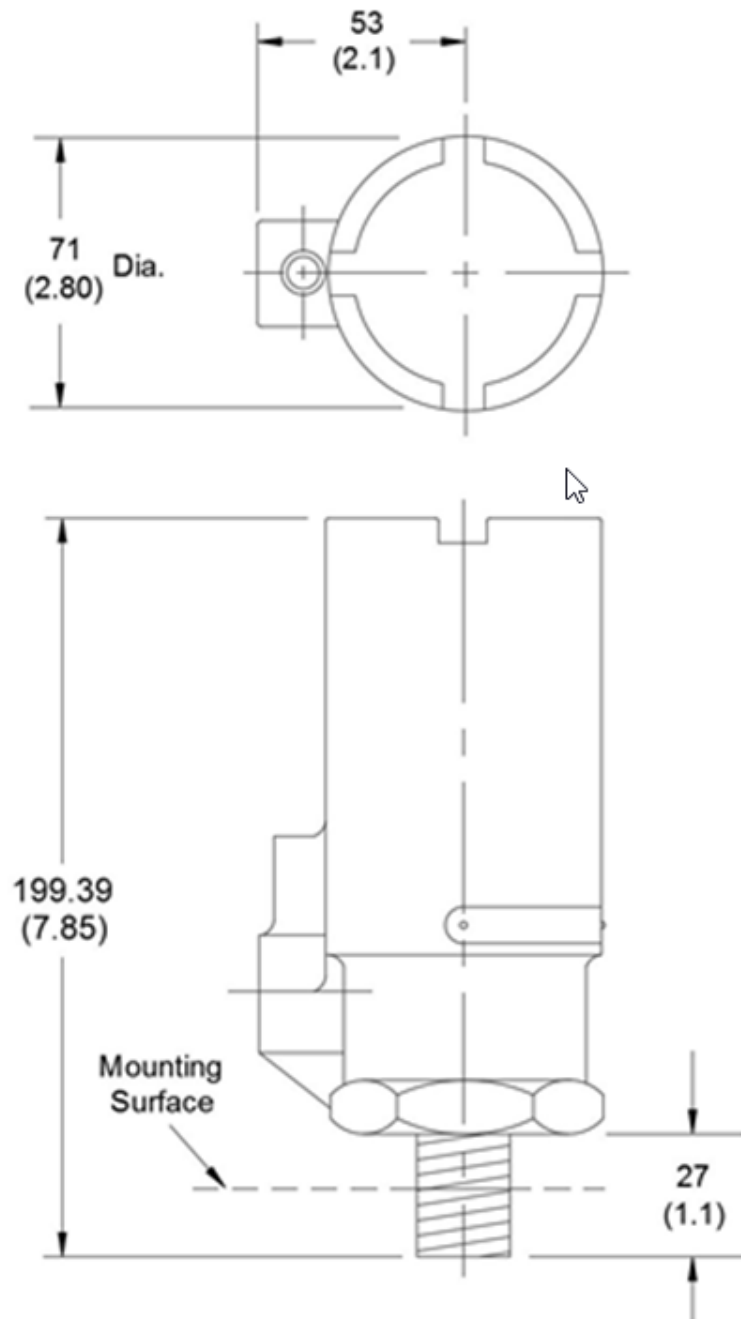


Figure 1: Velocity Transducer Housing with Tall Cap

Dimensions are in millimeters (inches).

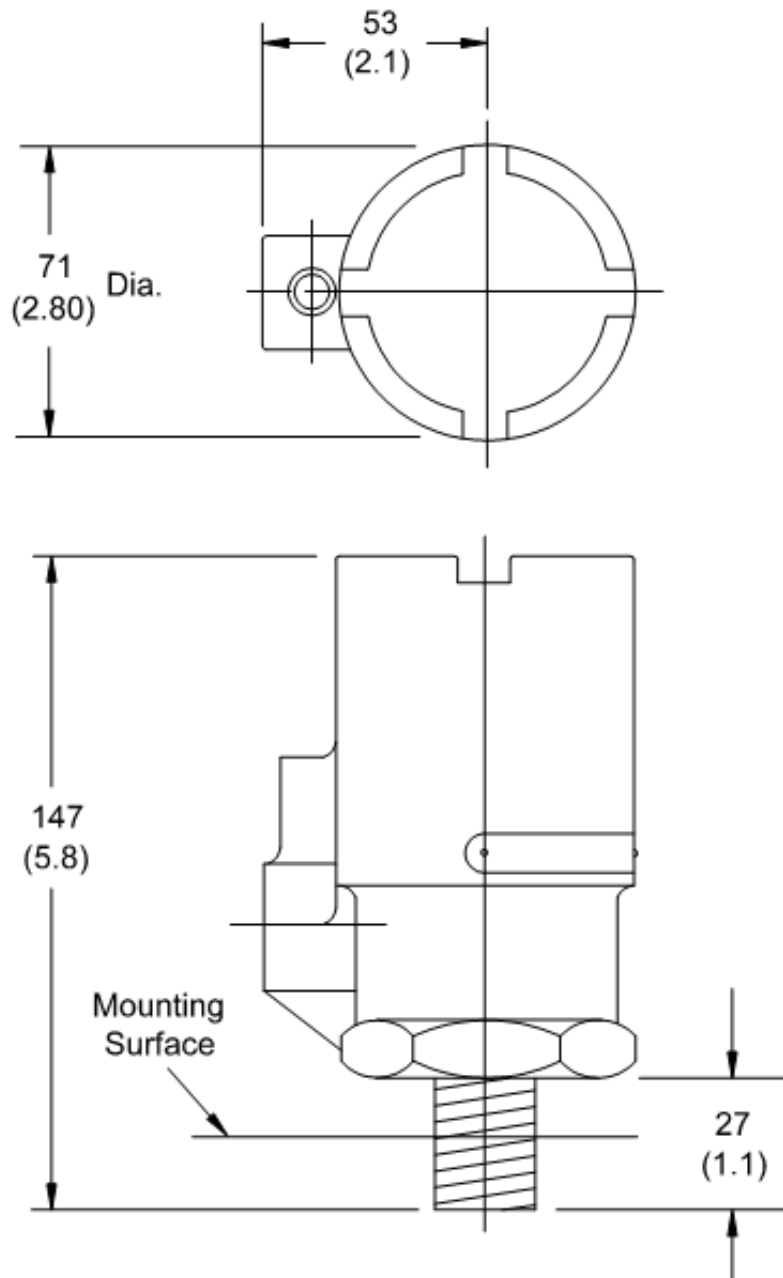


Figure 2: Velocity Transducer Housing with Standard Cap

Copyright 2020 Baker Hughes Company. All rights reserved.



Bently Nevada, Orbit Logo, Seismoprobe and Velomitor are registered trademarks of Bently Nevada, a Baker Hughes Business, in the United States and other countries. The Baker Hughes logo is a trademark of Baker Hughes Company. All other product and company names are trademarks of their respective holders. Use of the trademarks does not imply any affiliation with or endorsement by the respective holders.

Baker Hughes provides this information on an "as is" basis for general information purposes. Baker Hughes does not make any representation as to the accuracy or completeness of the information and makes no warranties of any kind, specific, implied or oral, to the fullest extent permissible by law, including those of merchantability and fitness for a particular purpose or use. Baker Hughes hereby disclaims any and all liability for any direct, indirect, consequential or special damages, claims for lost profits, or third party claims arising from the use of the information, whether a claim is asserted in contract, tort, or otherwise. Baker Hughes reserves the right to make changes in specifications and features shown herein, or discontinue the product described at any time without notice or obligation. Contact your Baker Hughes representative for the most current information.

The information contained in this document is the property of Baker Hughes and its affiliates; and is subject to change without prior notice. It is being supplied as a service to our customers and may not be altered or its content repackaged without the express written consent of Baker Hughes. This product or associated products may be covered by one or more patents. See [Bentley.com/legal](https://www.bentley.com/legal).

1631 Bently Parkway South, Minden, Nevada USA 89423
Phone: 1.775.782.3611 or 1.800.227.5514 (US only)
[Bentley.com](https://www.bentley.com)